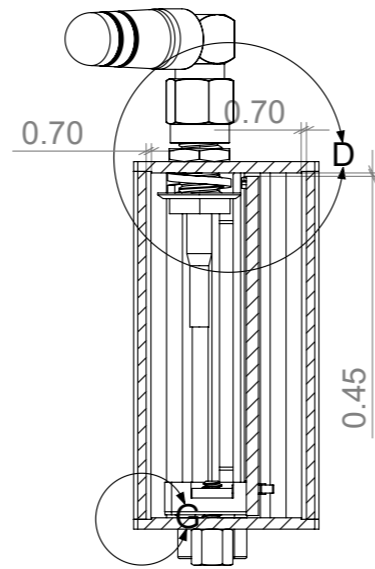
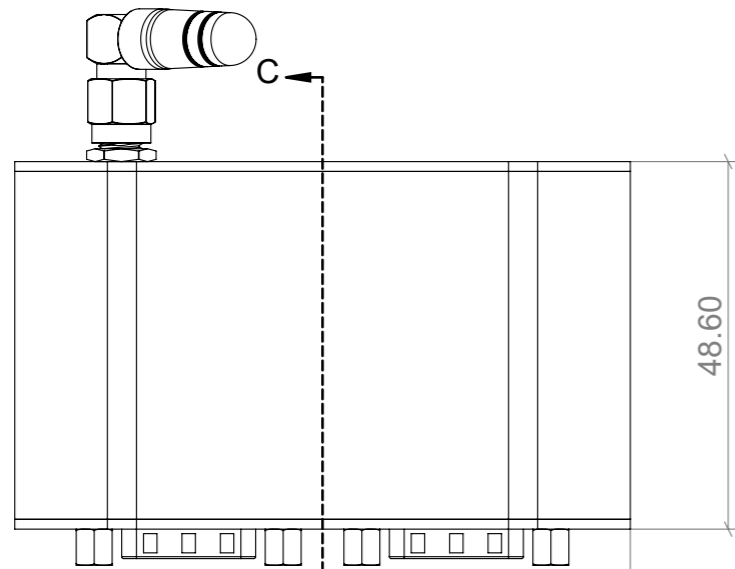
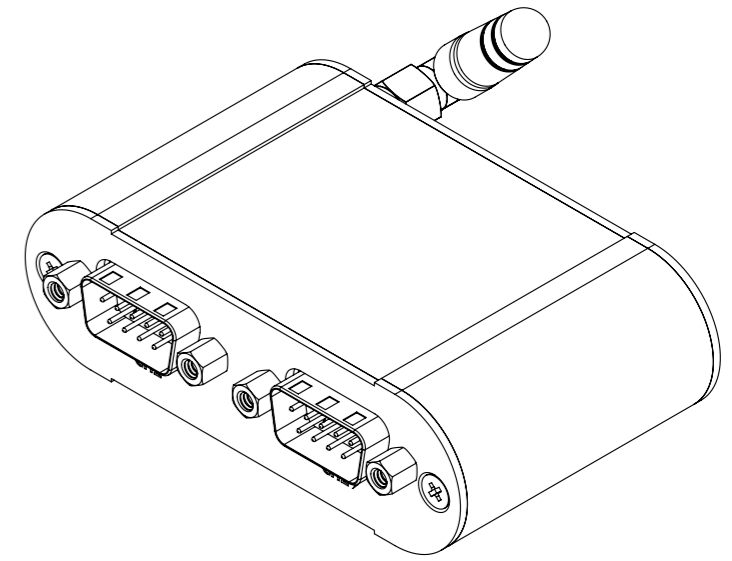
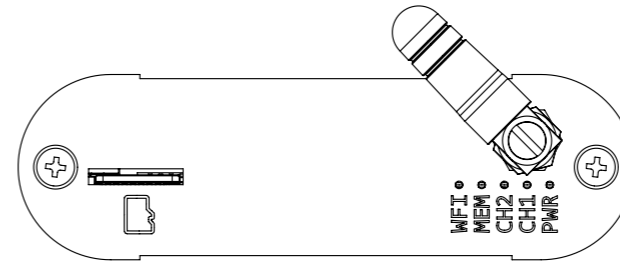
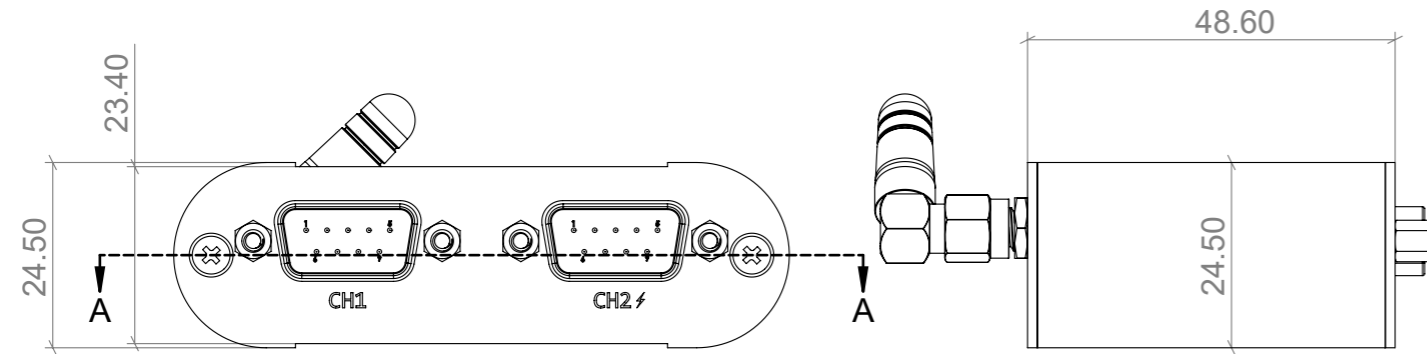
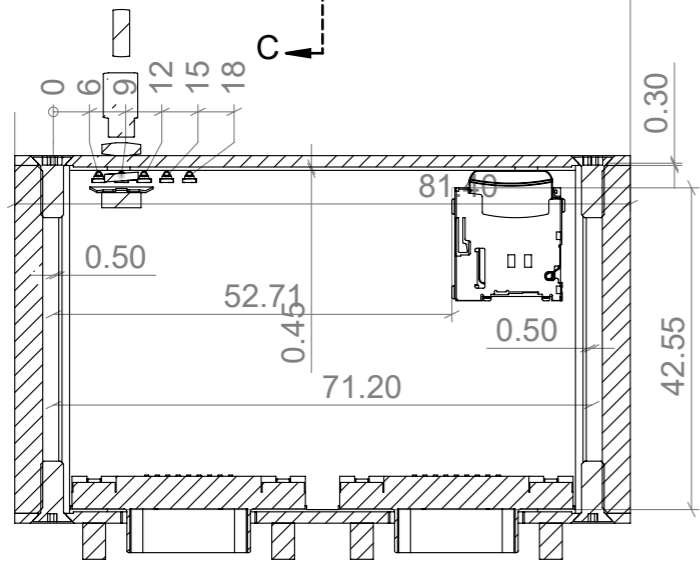
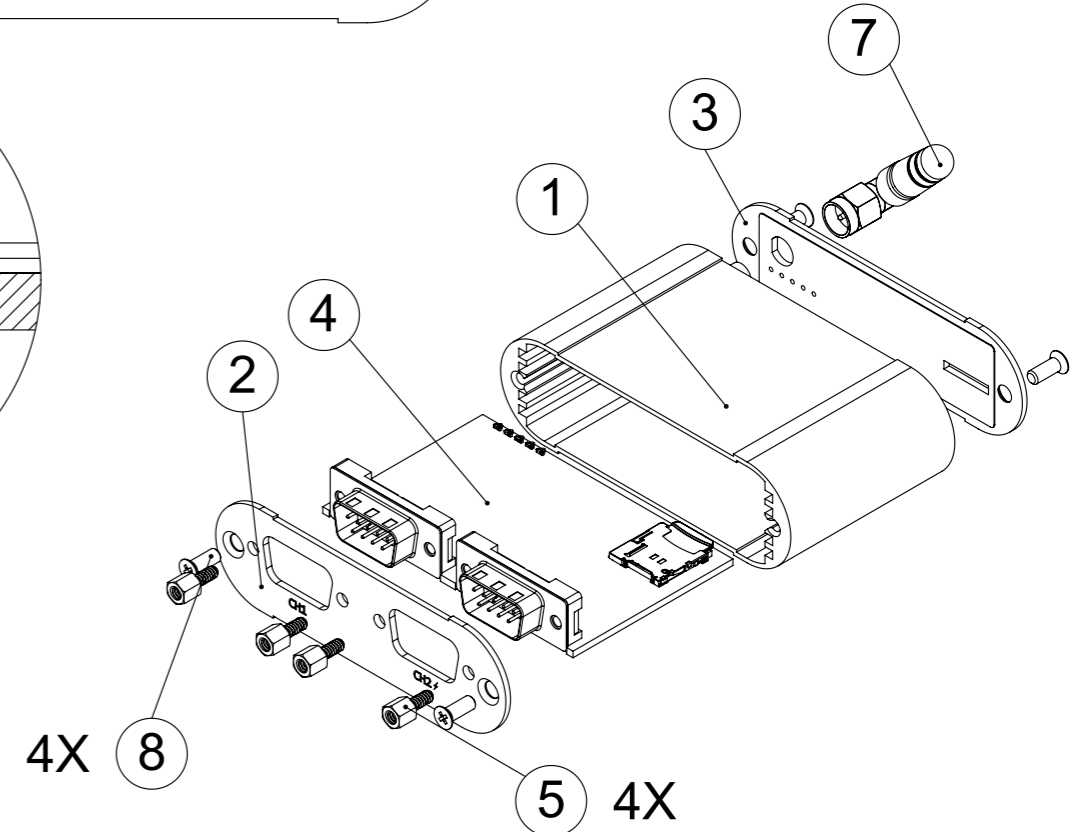


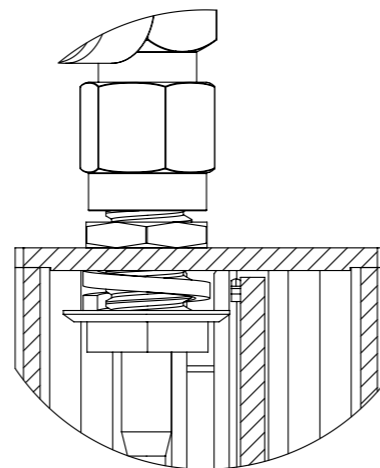
ITEM NO.	PART NUMBER	DESCRIPTION	QTY.
1	Main		1
2	Plate_can_V2		1
3	Plate_card_V2		1
4	PCB and details		1
5	Hex-Standoff-Jack Screw-Male-to-Female 4-40		4
6	MMCX male to SMA female		1
7	User Library-SMA_AntennaR	Angle GSM antenna with SMA connector	1
8	CSPLC-ST-M3-8_203		4



DETAIL G
SCALE 5 : 1

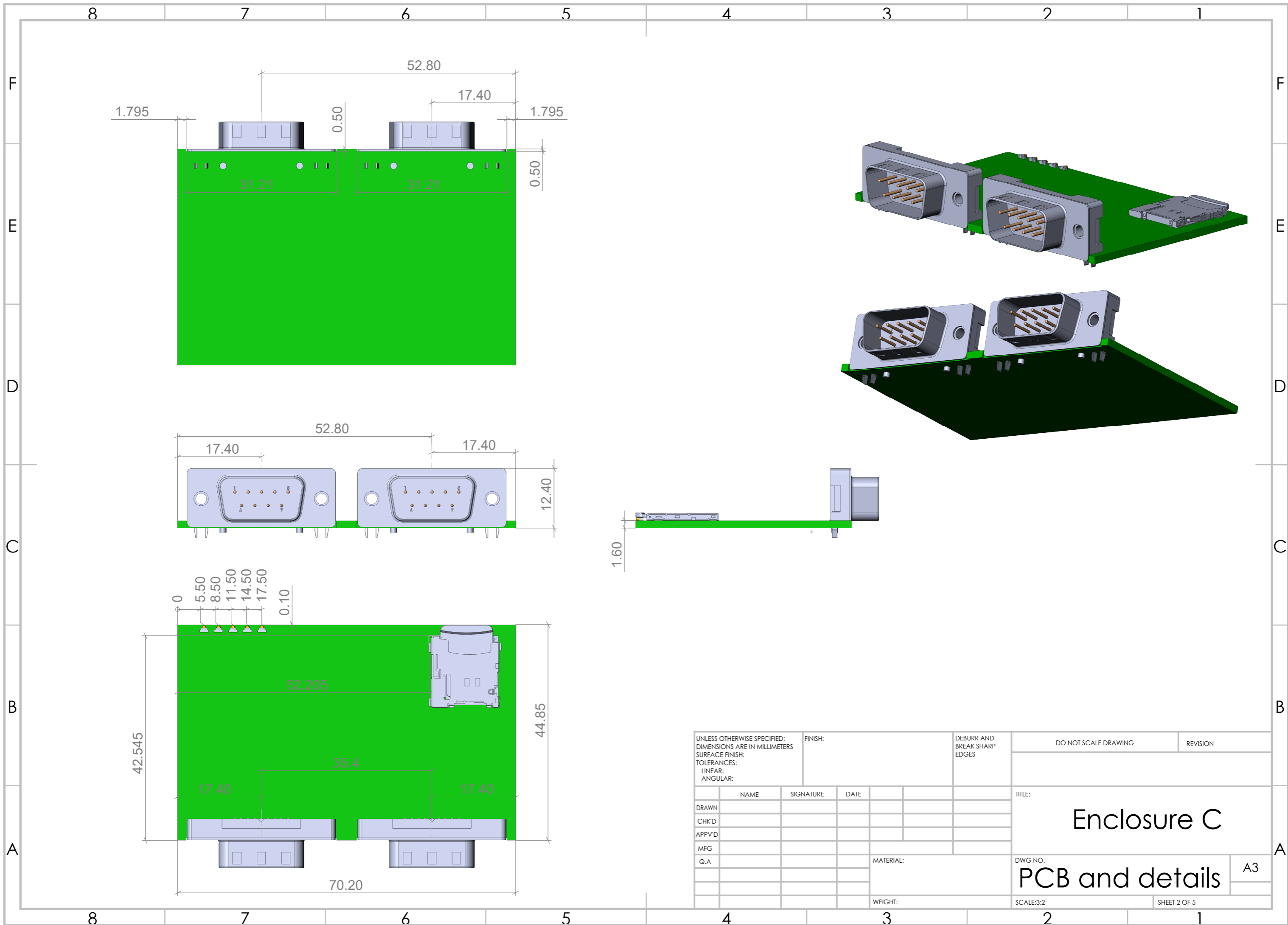


SECTION A-A

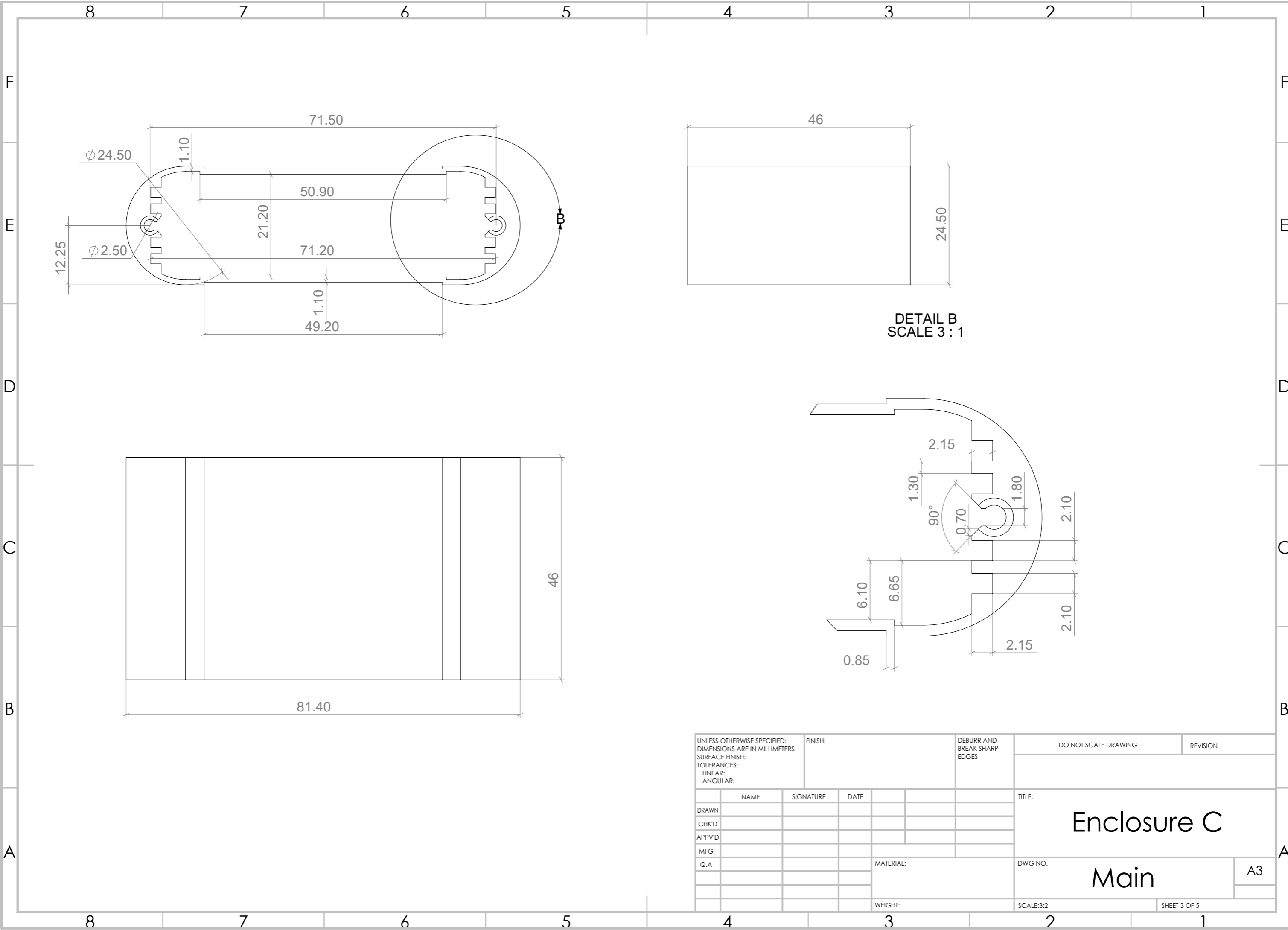


DETAIL D
SCALE 2 : 1

UNLESS OTHERWISE SPECIFIED: DIMENSIONS ARE IN MILLIMETERS SURFACE FINISH: TOLERANCES: LINEAR: ANGULAR:			FINISH:	DEBURR AND BREAK SHARP EDGES	DO NOT SCALE DRAWING	REVISION
DRAWN	NAME	SIGNATURE	DATE		TITLE: Enclosure C	
CHK'D					DWG NO.	A3
APPV'D					SCALE:1:1	SHEET 1 OF 5
MFG				MATERIAL:		
Q.A				WEIGHT:		



UNLESS OTHERWISE SPECIFIED: DIMENSIONS ARE IN MILLIMETERS SURFACE FINISH: TOLERANCES: LINEAR: ANGULAR:				FINISH:		DEBURR AND BREAK SHARP EDGES		DO NOT SCALE DRAWING		REVISION	
DRAWN				NAME		SIGNATURE		DATE		TITLE:	
CHK'D										Enclosure C	
APPV'D											
MFG										DWG NO.	
Q.A										PCB and details	
										A3	
										SCALE:3:2	
										SHEET 2 OF 5	



DETAIL B
SCALE 3 : 1

UNLESS OTHERWISE SPECIFIED: DIMENSIONS ARE IN MILLIMETERS SURFACE FINISH: TOLERANCES: LINEAR: ANGULAR:				FINISH:		DEBURR AND BREAK SHARP EDGES		DO NOT SCALE DRAWING		REVISION	
DRAWN				NAME		SIGNATURE		DATE		TITLE:	
CHK'D										Enclosure C	
APPV'D											
MFG										Main	
Q.A											
								MATERIAL:		DWG NO.	
								WEIGHT:		SCALE:3:2	
										SHEET 3 OF 5	
										A3	

8 7 6 5 4 3 2 1

F F

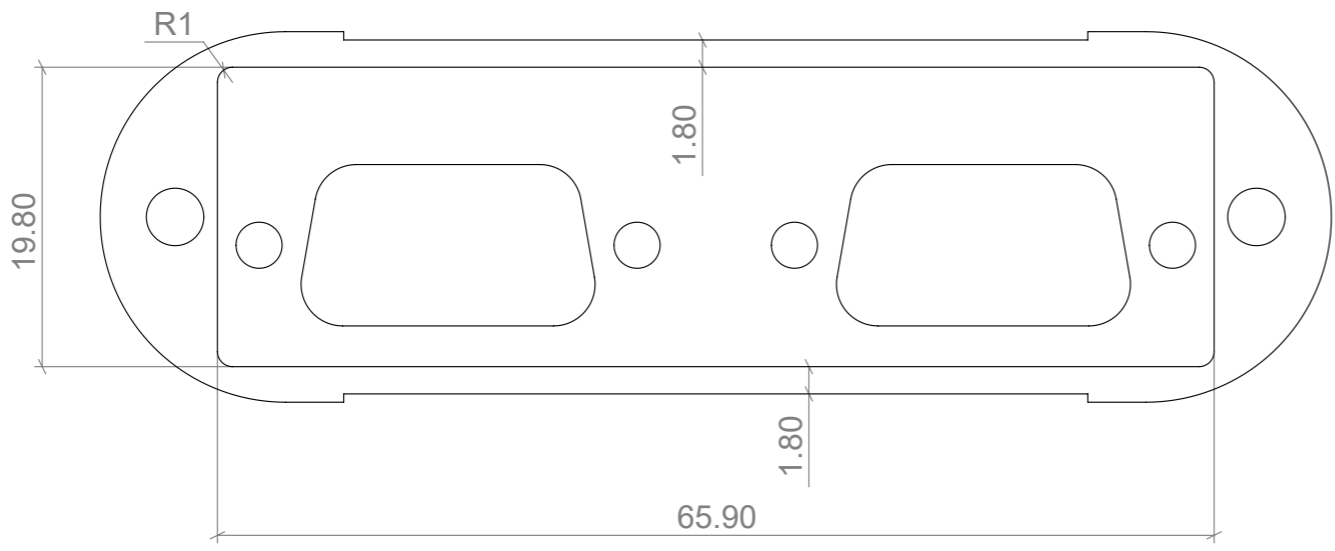
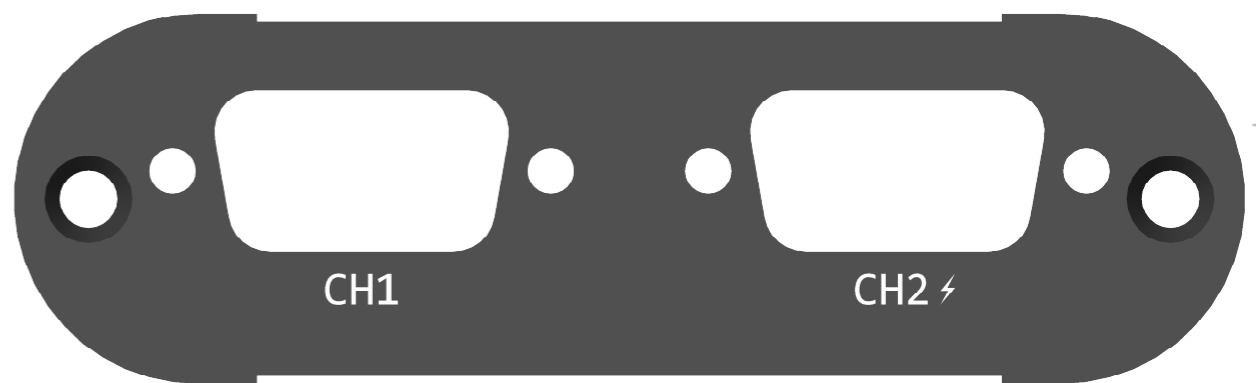
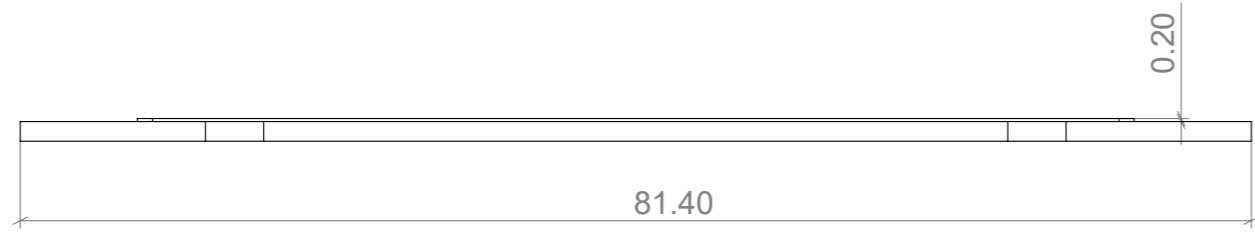
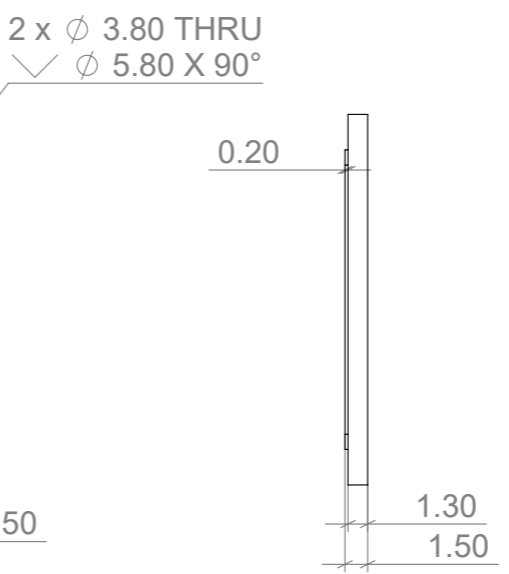
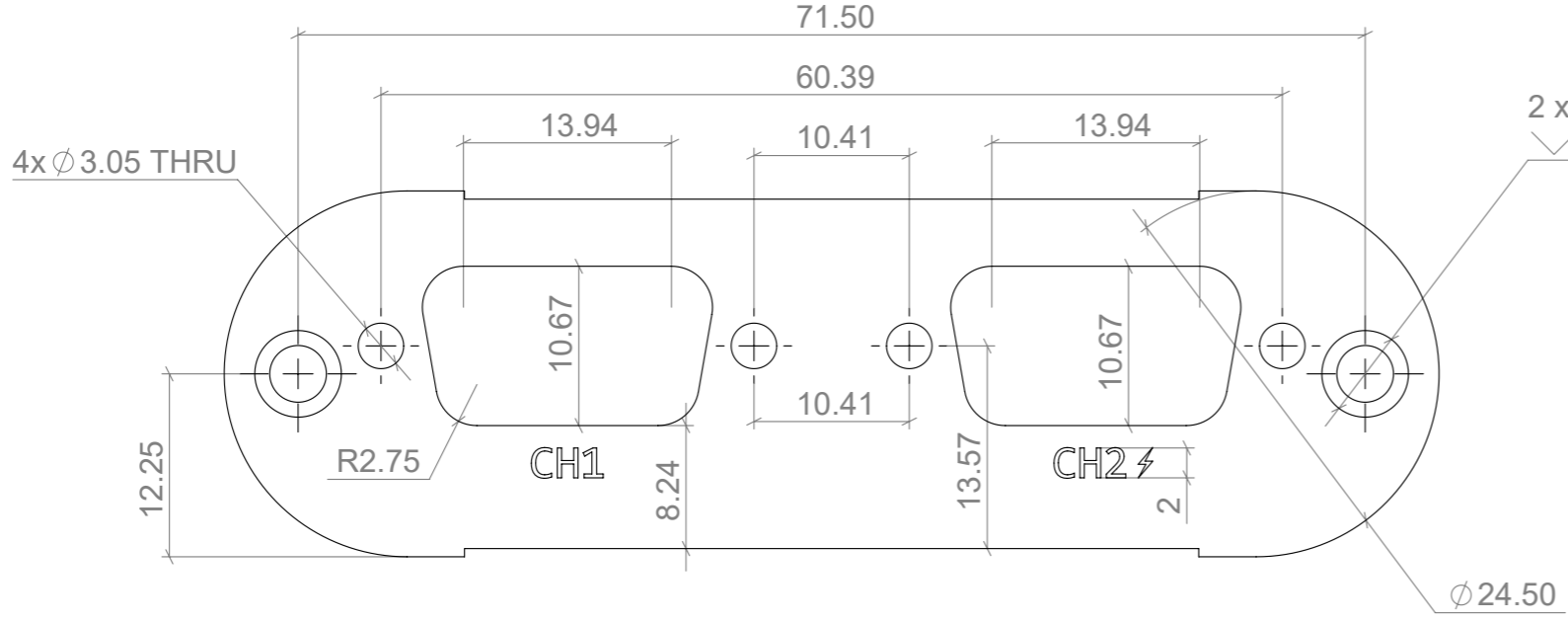
E E

D D

C C

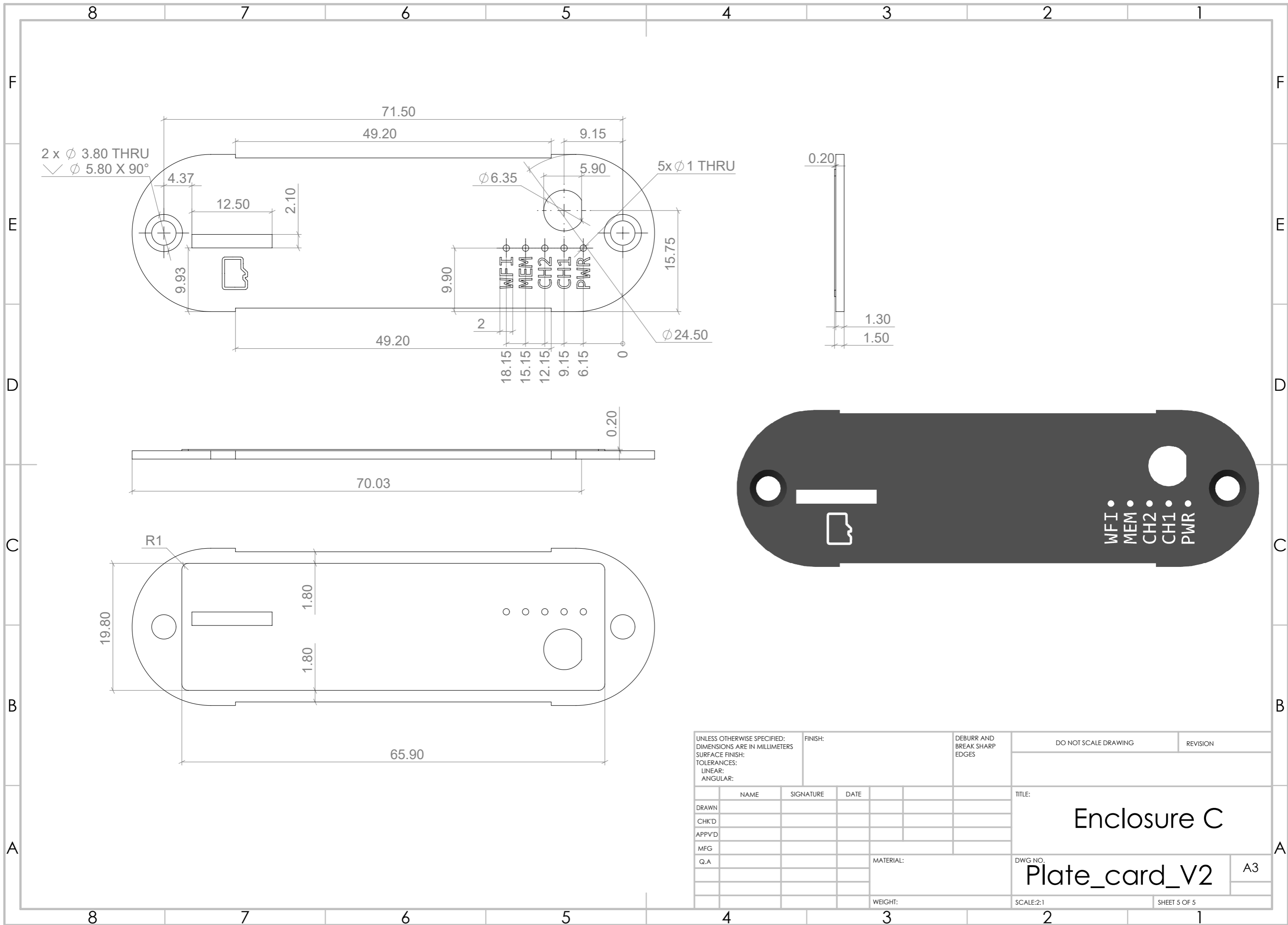
B B

A A



UNLESS OTHERWISE SPECIFIED: DIMENSIONS ARE IN MILLIMETERS SURFACE FINISH: TOLERANCES: LINEAR: ANGULAR:				FINISH:		DEBURR AND BREAK SHARP EDGES		DO NOT SCALE DRAWING		REVISION	
DRAWN				NAME		SIGNATURE		DATE		TITLE:	
CHK'D										Enclosure C	
APPV'D											
MFG											
Q.A											
						MATERIAL:		DWG NO.		A3	
						WEIGHT:		SCALE:2:1		SHEET 4 OF 5	

8 7 6 5 4 3 2 1



UNLESS OTHERWISE SPECIFIED: DIMENSIONS ARE IN MILLIMETERS		FINISH:		DEBURR AND BREAK SHARP EDGES		DO NOT SCALE DRAWING		REVISION	
SURFACE FINISH:									
TOLERANCES:									
LINEAR:									
ANGULAR:									
DRAWN		NAME		SIGNATURE		DATE		TITLE:	
CHK'D								Enclosure C	
APPV'D									
MFG								DWG NO.	
Q.A								Plate_card_V2	
								A3	
								SCALE:2:1	
								SHEET 5 OF 5	