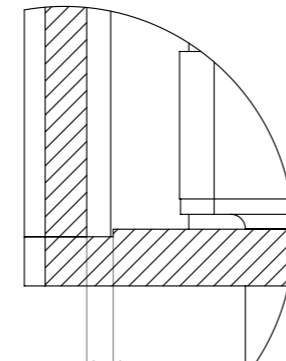
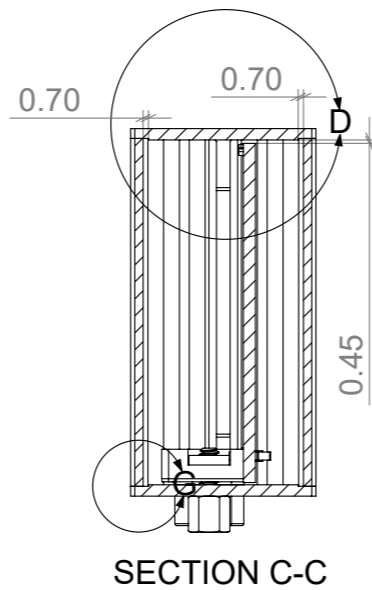
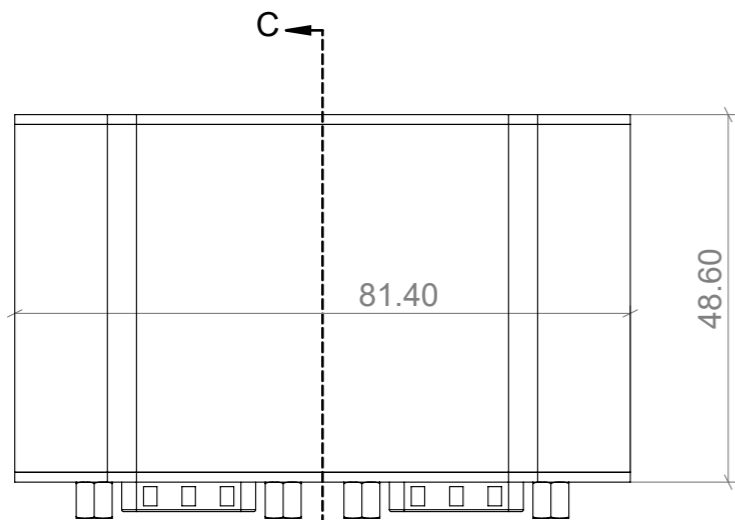
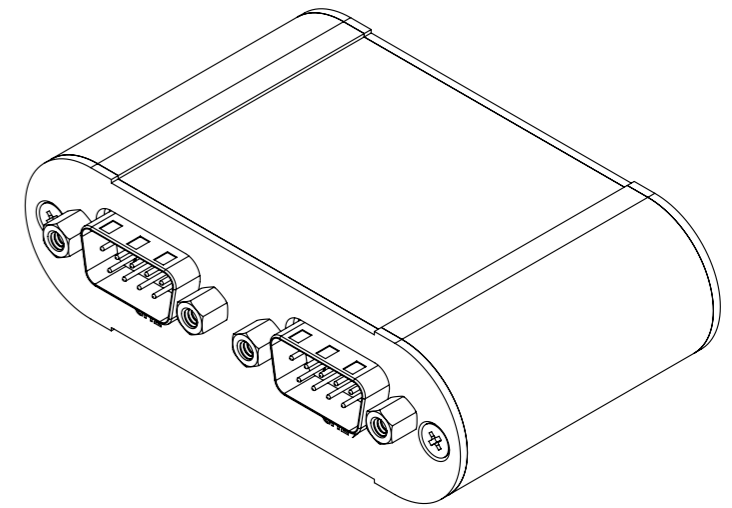
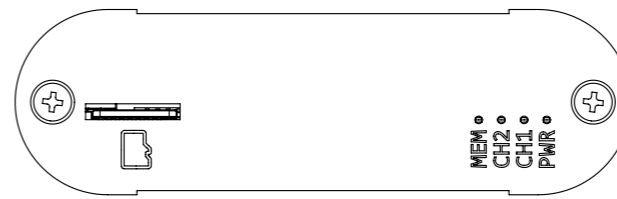
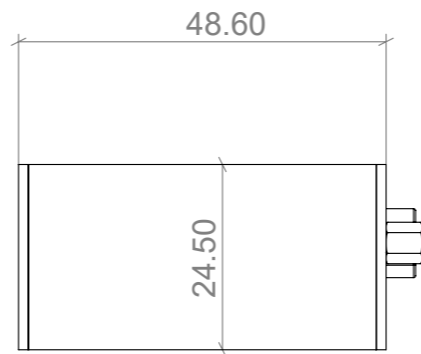
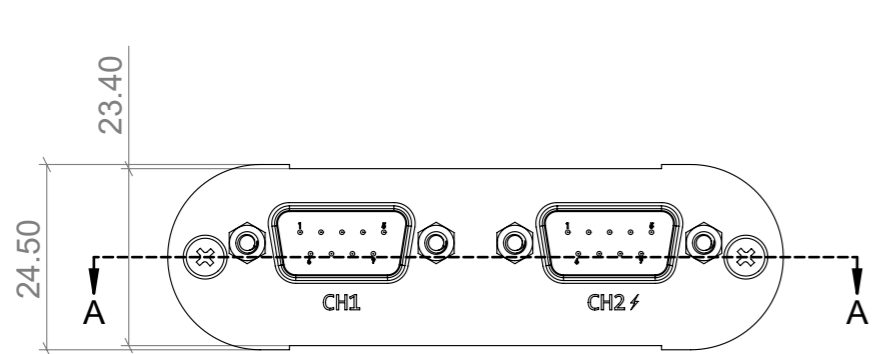
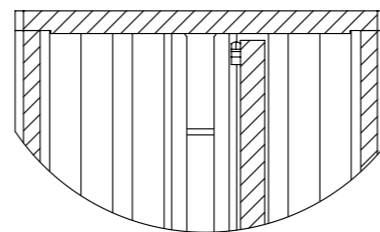
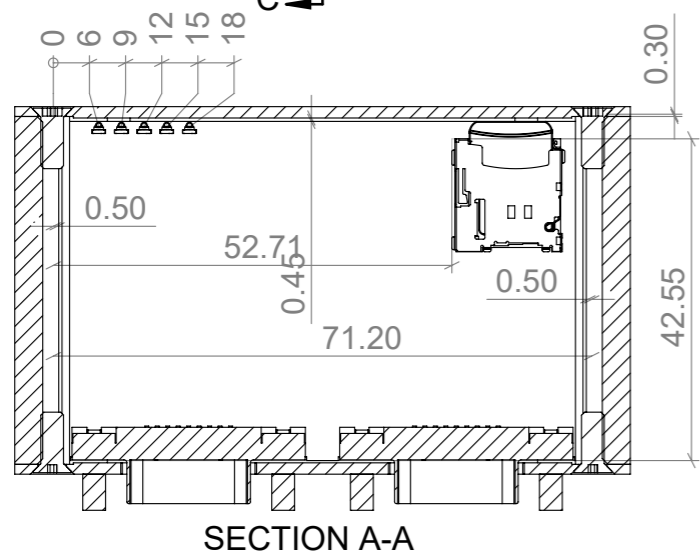
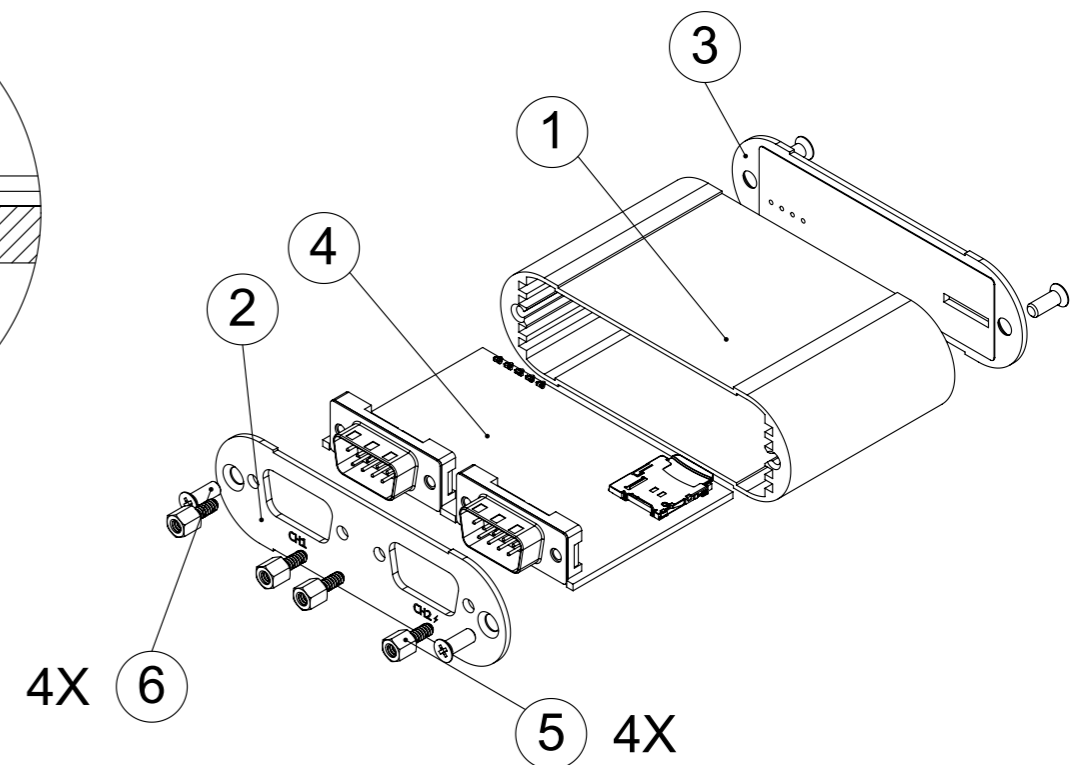


ITEM NO.	PART NUMBER	DESCRIPTION	QTY.
1	Main CANedge1		1
2	Plate_can_CANedge1		1
3	Plate_card_CANedge1		1
4	PCB and details		1
5	Hex-Standoff-Jack Screw-Male-to-Female 4-40		4
6	CSPLC-ST-M3-8_203		4

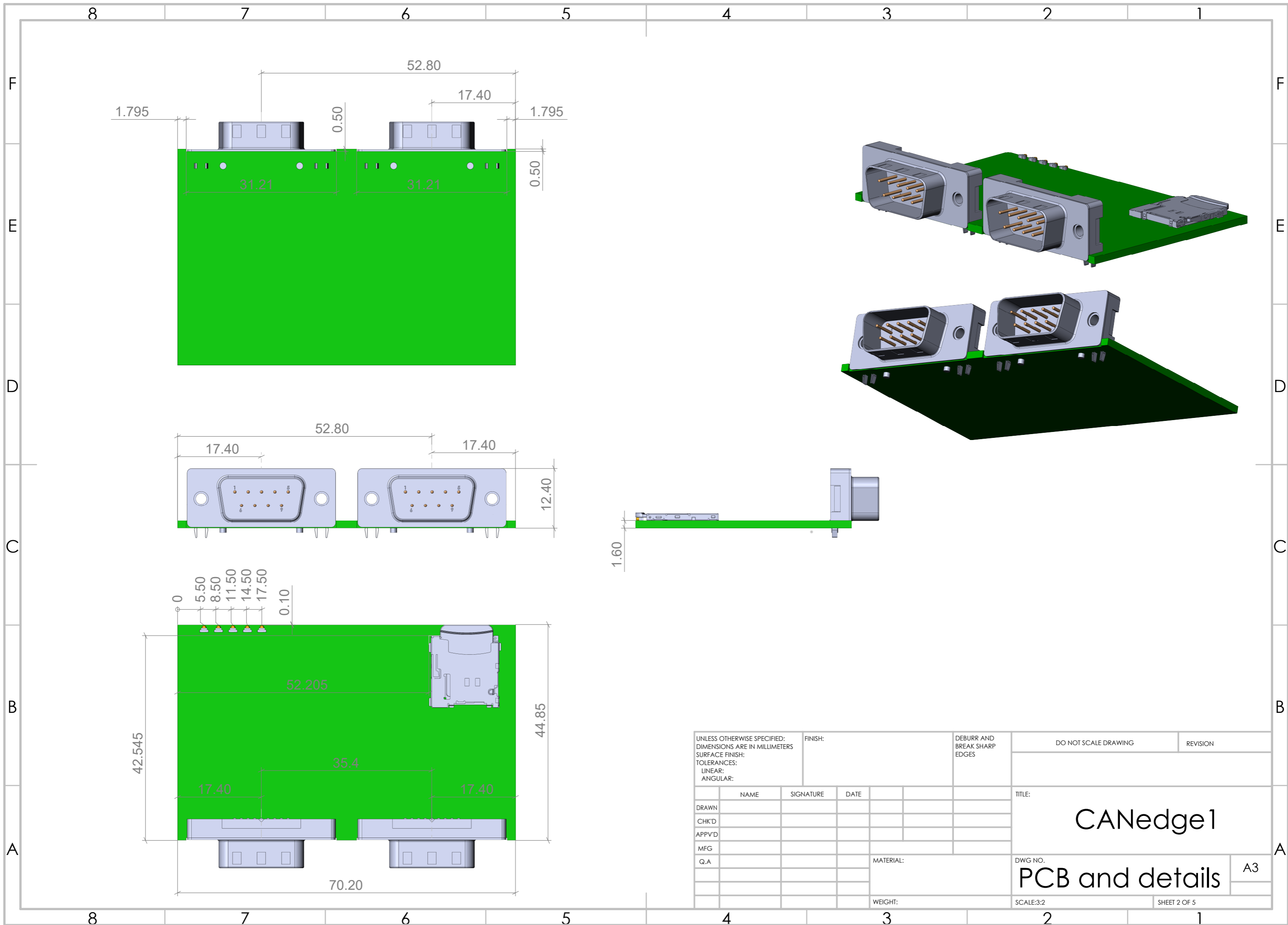


DETAIL G
SCALE 5 : 1

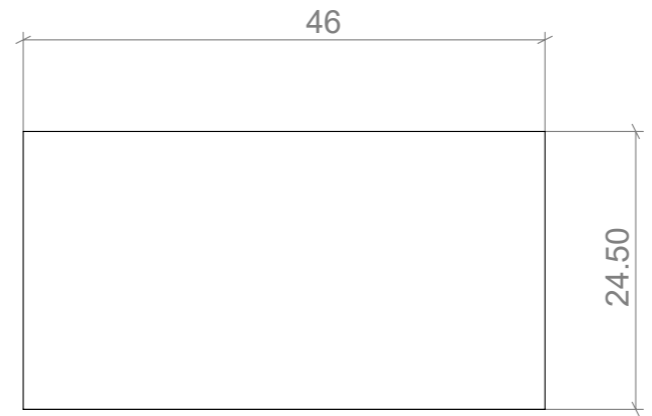
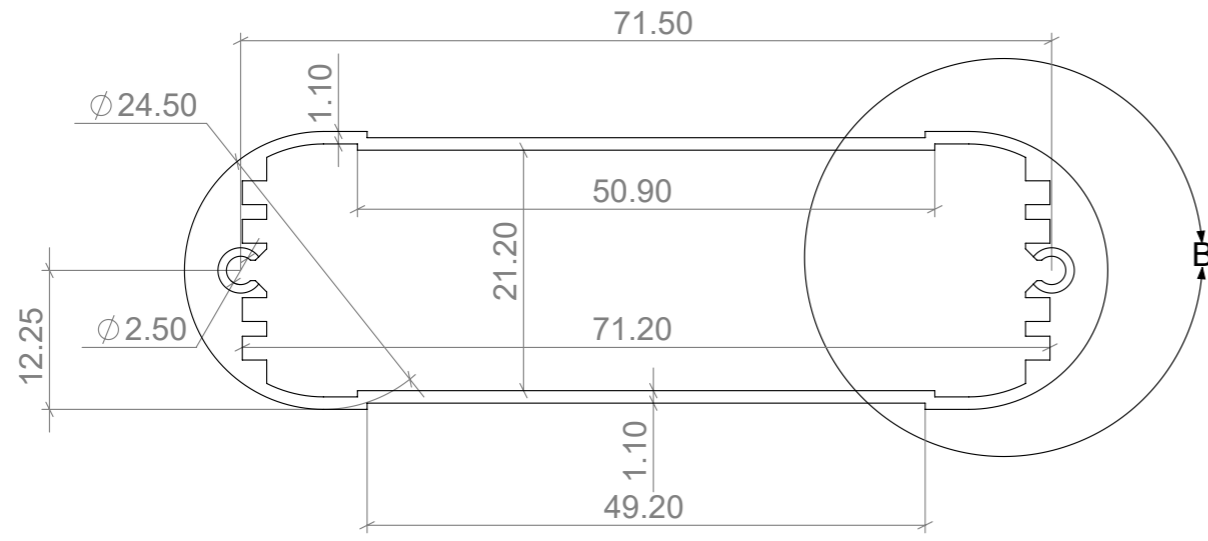
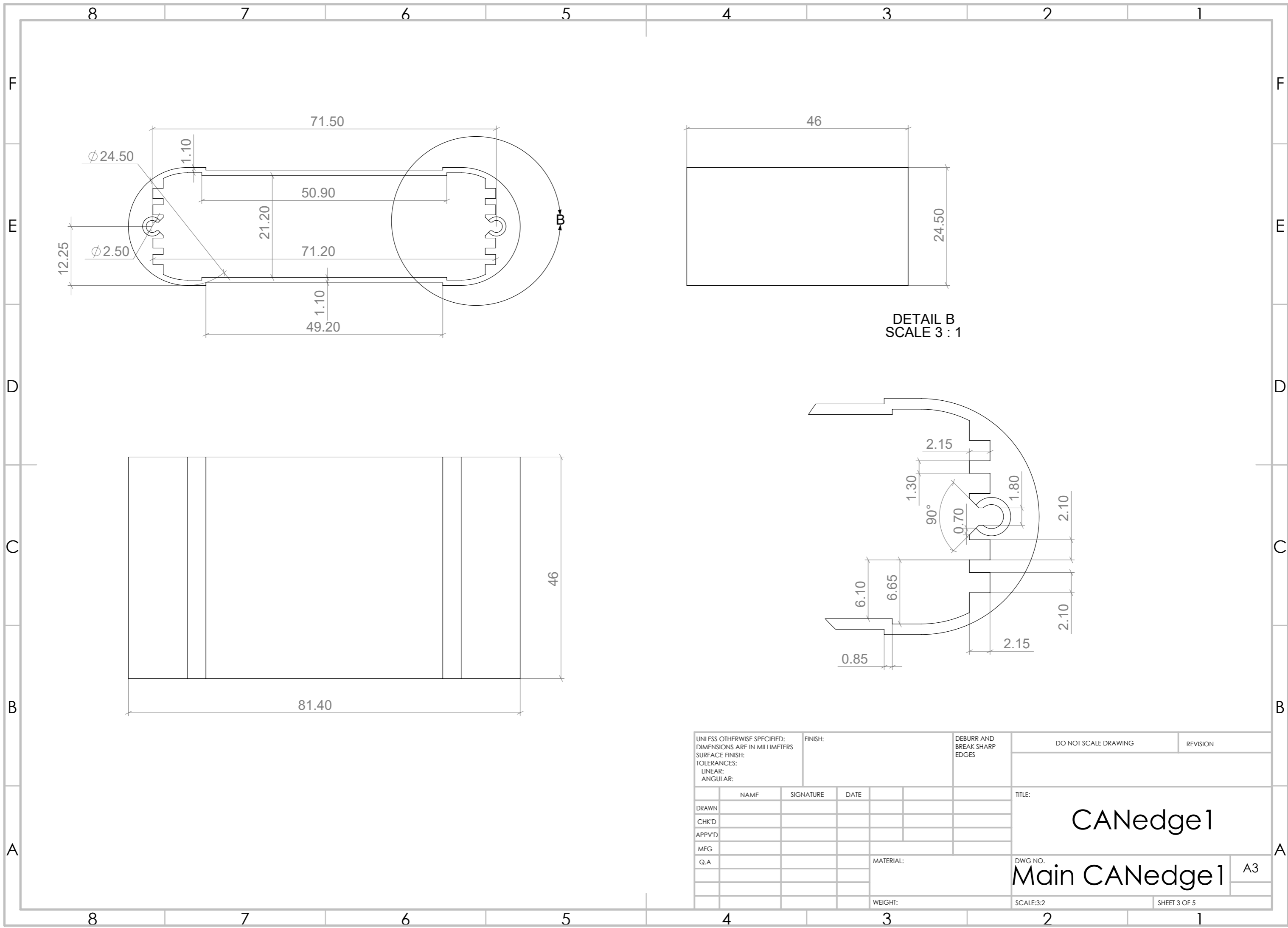


DETAIL D
SCALE 2 : 1

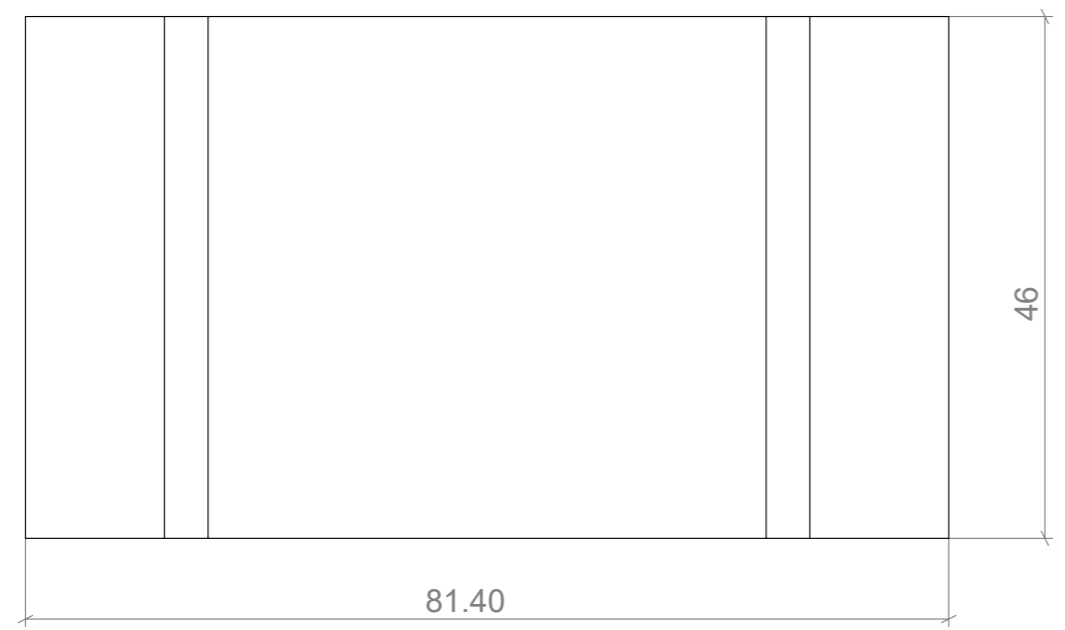
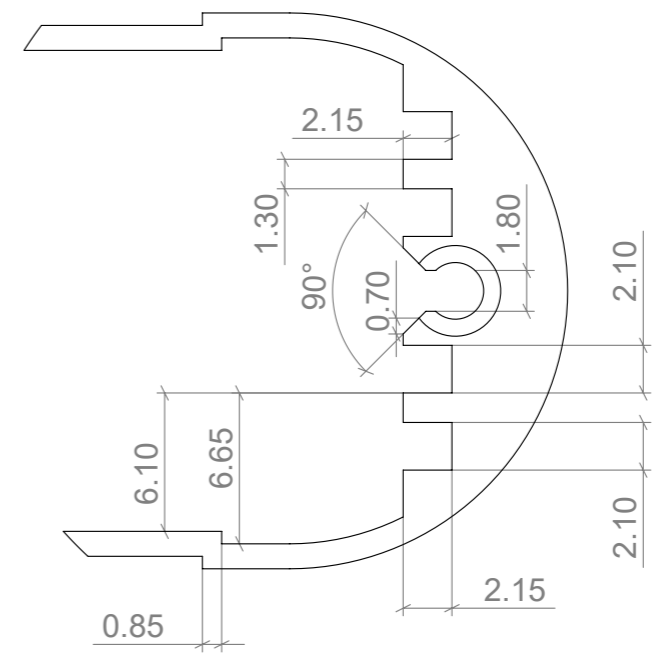
UNLESS OTHERWISE SPECIFIED: DIMENSIONS ARE IN MILLIMETERS SURFACE FINISH: TOLERANCES: LINEAR: ANGULAR:			FINISH:	DEBURR AND BREAK SHARP EDGES	DO NOT SCALE DRAWING	REVISION
DRAWN				TITLE: CANedge1		
CHK'D				DWG NO.		
APPV'D				SCALE:1:1		
MFG				SHEET 1 OF 5		
Q.A				A3		
MATERIAL:				WEIGHT:		



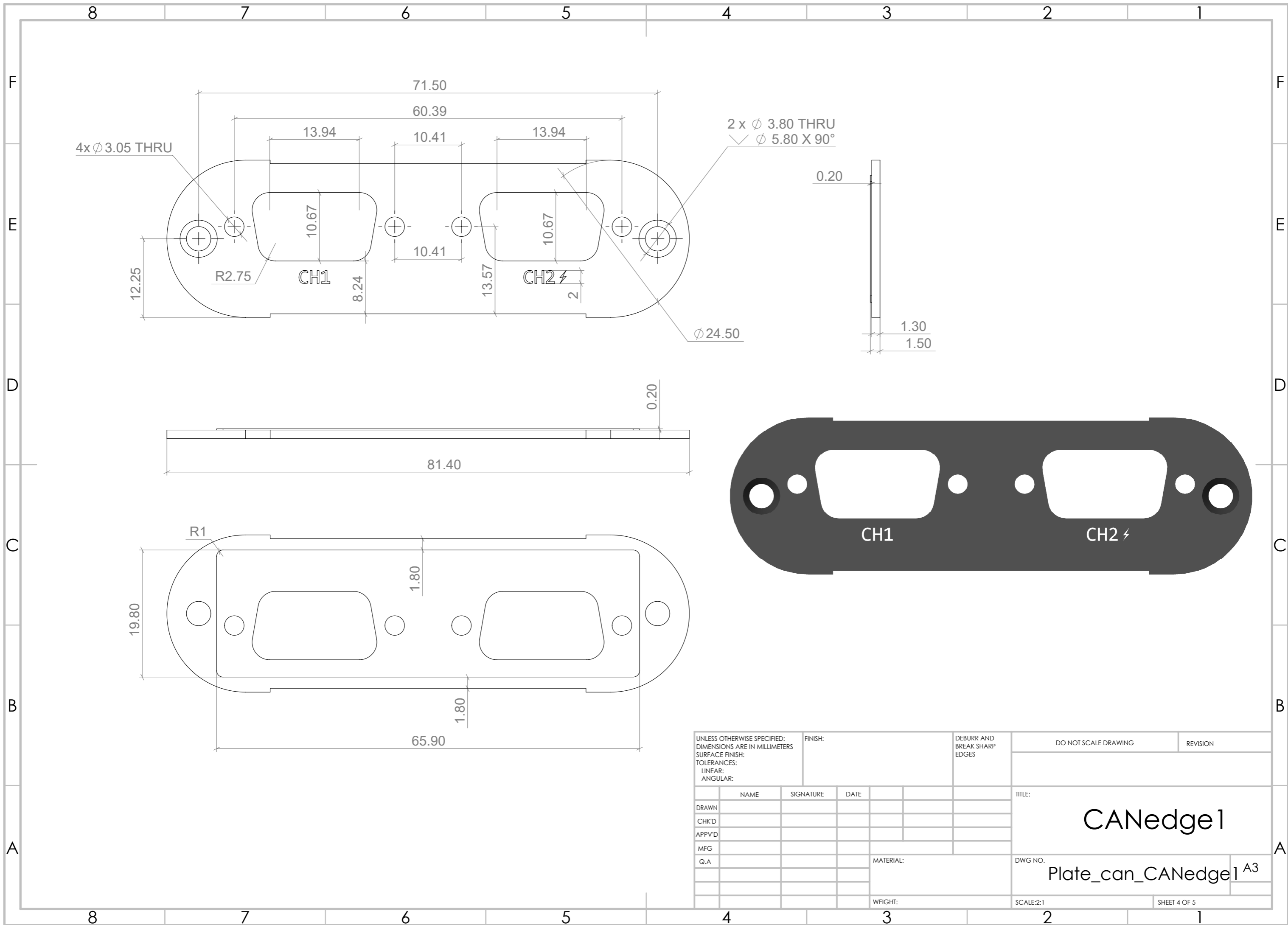
UNLESS OTHERWISE SPECIFIED: DIMENSIONS ARE IN MILLIMETERS SURFACE FINISH: TOLERANCES: LINEAR: ANGULAR:			FINISH:		DEBURR AND BREAK SHARP EDGES		DO NOT SCALE DRAWING		REVISION		
DRAWN							TITLE: CANedge1				
CHK'D							DWG NO. PCB and details				
APPV'D							SCALE:3:2				
MFG							MATERIAL:		SHEET 2 OF 5		
Q.A							WEIGHT:		A3		



DETAIL B
SCALE 3 : 1



UNLESS OTHERWISE SPECIFIED: DIMENSIONS ARE IN MILLIMETERS SURFACE FINISH: TOLERANCES: LINEAR: ANGULAR:			FINISH:		DEBURR AND BREAK SHARP EDGES		DO NOT SCALE DRAWING		REVISION		
							TITLE: CANedge1				
							DWG NO. Main CANedge1		A3		
							SCALE:3:2		SHEET 3 OF 5		
DRAWN		NAME		SIGNATURE		DATE					
CHK'D											
APPV'D											
MFG											
Q.A											
							MATERIAL:				
							WEIGHT:				



UNLESS OTHERWISE SPECIFIED: DIMENSIONS ARE IN MILLIMETERS SURFACE FINISH: TOLERANCES: LINEAR: ANGULAR:			FINISH:		DEBURR AND BREAK SHARP EDGES		DO NOT SCALE DRAWING		REVISION	
DRAWN					TITLE:					
CHK'D					CANedge1					
APPV'D										
MFG					DWG NO.					
Q.A					Plate_can_CANedge1 A3					
WEIGHT:					SCALE:2:1					
					SHEET 4 OF 5					

